

**Ventilation Equipment**  
**Hood without fan motor for 6 on 6 GN**  
**1/1 or 6 on 10 GN 1/1 stacked lengthwise**  
**combi ovens**

ITEM # \_\_\_\_\_

MODEL # \_\_\_\_\_

NAME # \_\_\_\_\_

SIS # \_\_\_\_\_

AIA # \_\_\_\_\_


**922737 (HOBS11)**

 Exhaust hood without fan for  
 stacking 6+6 or 6+10 GN 1/1  
 ovens

### Short Form Specification

Item No. \_\_\_\_\_

- Constructed in 304 AISI stainless steel
- Equipped with labyrinth filters in 304 AISI stainless steel (positioned on front)
- Suitable for installation on 6 on 6 GN 1/1 or 6 on 10 GN 1/1 STACKED LW COMBI OVENS.

### Main Features

- Filtering surface protects against fire hazard.
- Requires connection to an external exhaust air duct.
- Frontal labyrinth and condensation filters are easy to remove and cleanable in a dishwasher.
- Can be used with 6 on 6 GN 1/1 or 6 on 10 GN 1/1 stacked LW combi ovens.
- Double step door opening (PNC 922265) is suggested to improve filtering performance.

### Construction

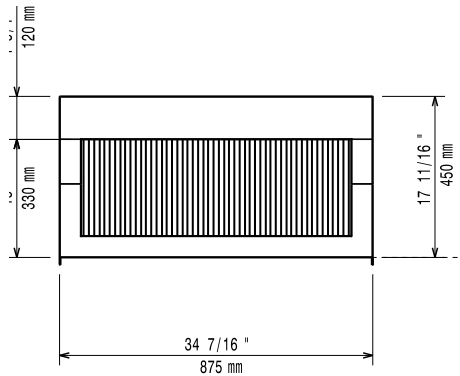
- Constructed entirely in 304 AISI stainless steel.
- Prefiltering of exhaust steam through stainless steel labyrinth filters.
- Developed and produced in ISO 9001, ISO 14001 and ISO 50001 certified factory.
- Must be installed in a space where normal aeration, according to regulations, is present.

### Optional Accessories

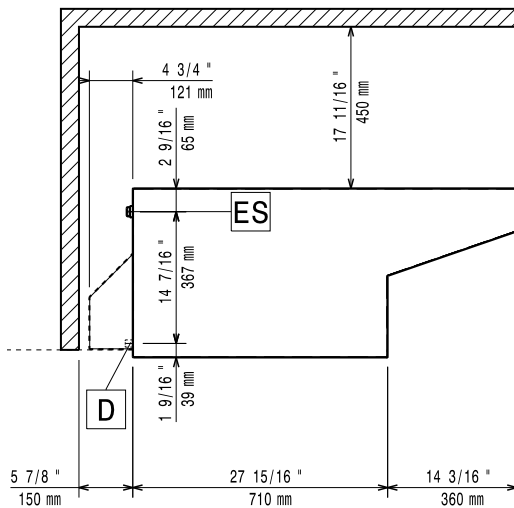
- Hood Hopper to directly connect the Hood to the centralized ventilation system, for Standard Hoods (with fan motor) and Hoods without fan motor PNC 922751

APPROVAL: \_\_\_\_\_

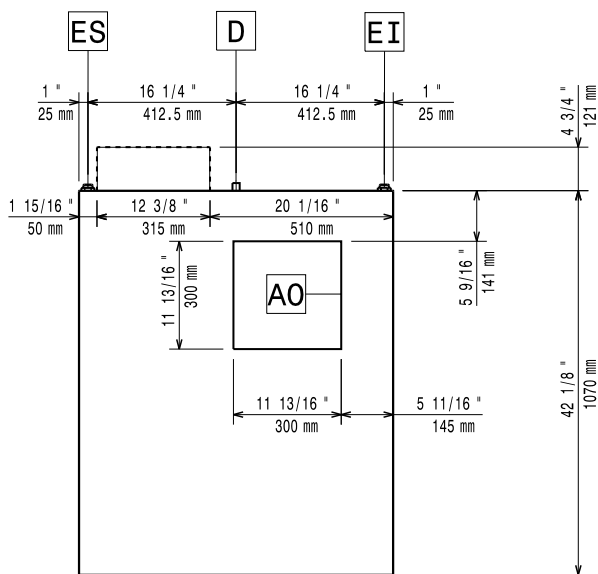
Front



Side



Top


**Key Information:**

External dimensions, Width: 922737 (HOB511) 875 mm

External dimensions, Depth: 1191 mm

External dimensions, Height: 450 mm

Net weight: 24 kg

Shipping weight: 38 kg

**Air Emission:**

Air capacity: 1200-1500 m<sup>3</sup>/h